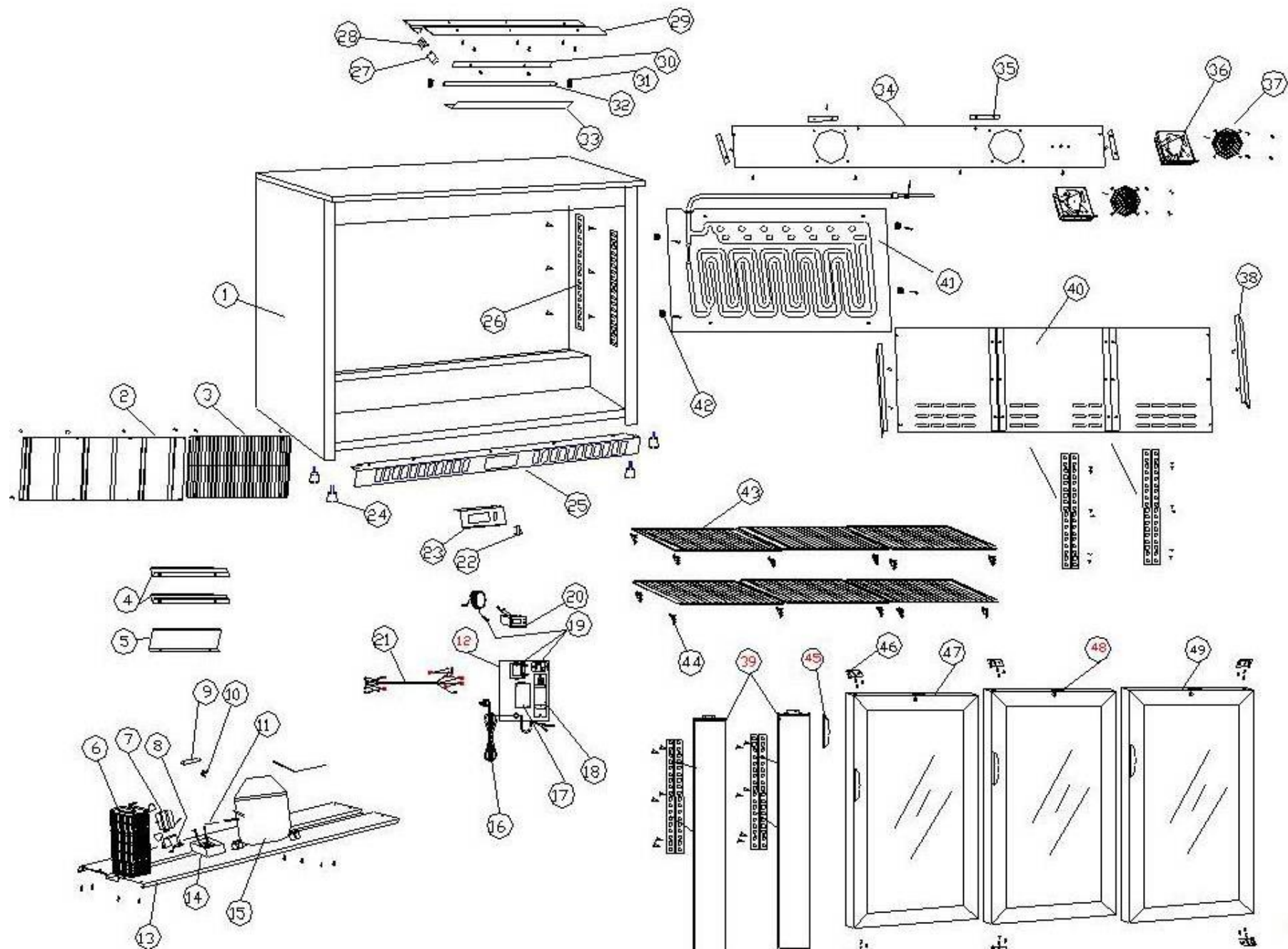


LG-330H



Item No.	supplier spare part number	Name	QTY	REF NAVISION
1	FPXJ330T	Body	1	
2	WJGD9000	Compressor compartment back board	1	
3	WJGD9000	Compressor compartment net board	1	
4	LZBP9458	Exhaust plate fortified board	1	
5	DXBI9000	Baffle	1	
6	DTLA9002	Wire condenser	1	BBT350-6
7	DQJB2004	Condenser fan motor	1	BBT350-7
8	DXBI9003	Condenser fan motor holder	1	BBT350-8
9	TCGV0002	Filter	1	BBS130-9
10	SLJAC008	Fliter cilp	1	
11	TCGD2012	Evaporating tube	1	
12	WJBD0002	Appliance fixing plate	1	
13	DXBA9005	compressor fixing plate	1	
14	SLZJ0022	Water Tray	1	BBD230-14
15	DQYD0015	Compressor	1	BBD230-15
16	DQXA6002	Power wire with plug	1	
17	SLZB3001	Junction box	1	BBS130-16
18	DQZB0005	Ballast	1	BBD230-18
19	DQWB0005	Thermostat with displayer	1	BBS130-18
20	DQWB0005	Digital Displayer	1	BBS130-18
21	DQXB9019	Connecting Cable	1	
22	DQKC0000	Light switch	1	BBS130-21
23	PTBP9300	Displayer fixing plate	1	
24	WJLA1009	Adjusting foot	1	BBS130-23
25	PTBP9N80	Exhaust plate assemblies	1	
26	LCCJ2001	Pilaster	1	BBC208S-26
27	DQDF0000	Starter	1	BBS130-26
28	SLZA1000	Starter holder	1	
29	LCGP9004	Light tube fixing plate	1	
30	SLJAP006	light cover clipplate	1	
31	SLZA3000	lamp holder	2	
32	DQDA0010	Light tube	1	BBD230-32
33	SLZV0019	Transparent light cover	1	BBC330S-30
34	LCGP9015	Evaporator fan motor plate	1	
35	LCGP9005	Fan motor plate support	4	
36	DQFD2003	Evaporateur fan motor	2	BBS130-35
37	WJFZ0007	Evaporator fan motor cover	2	
38	LCGP9003	Evaporator baffle holder	2	
39	SLJAX001	pollar	1	
40	LCGP9012	Evaporator baffle	1	
41	TLZD9002	Evaporator	1	BBT350-41
42	SLZE0042	Evaporator support	1	
43	WJGA9008	Shelf	3	BBT350-43
44	LCCK0002	K Clip	48	BBT350-44
45	SLZB0014	handle	3	
46	WJMA9001	Door hinge	6	BBS130-43
47	BLGM9H01	Left Door	1	BBT350-45/47
48	BLGM9H01	middle Door	1	BBT350-45/48
49	BLGM9H02	Right Door	1	BBT350-45/49